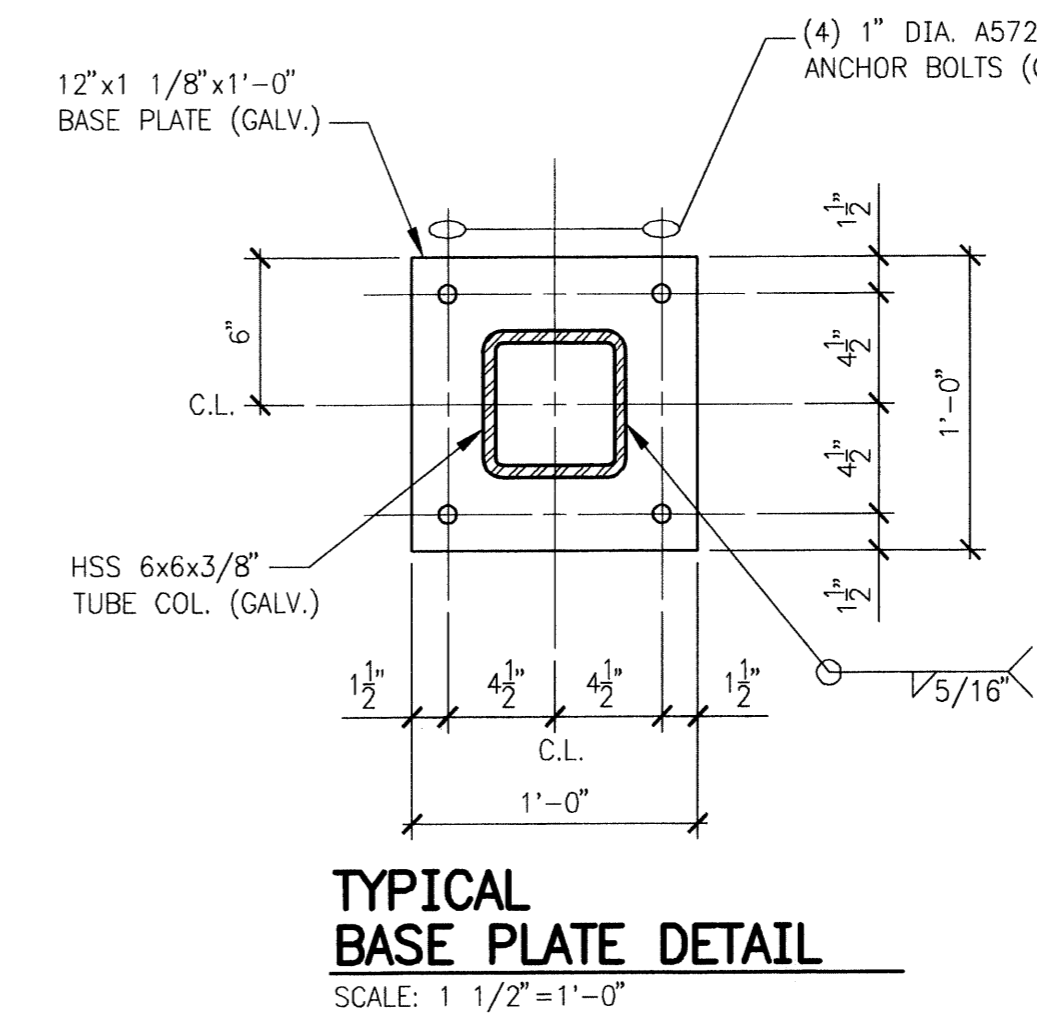
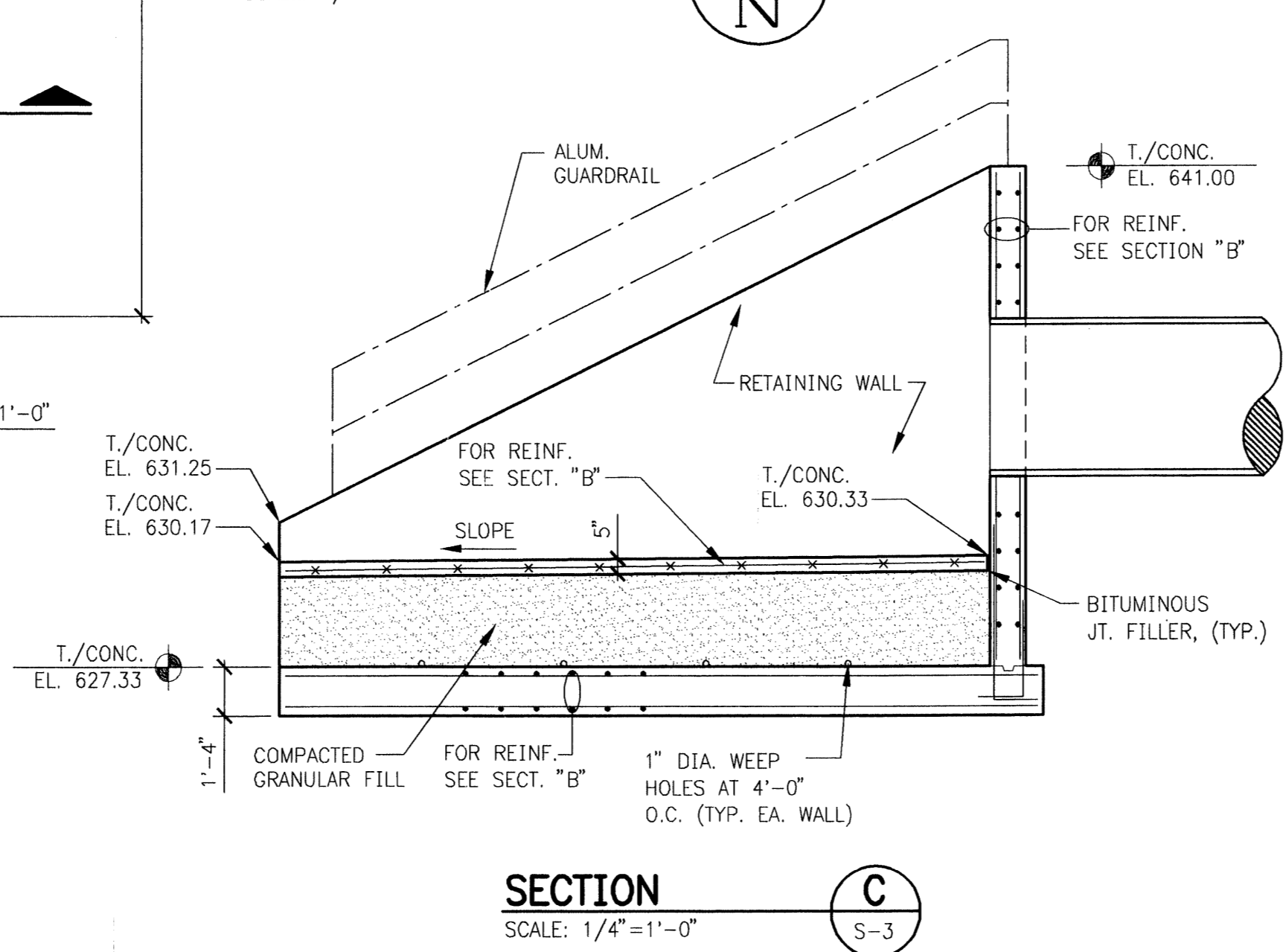
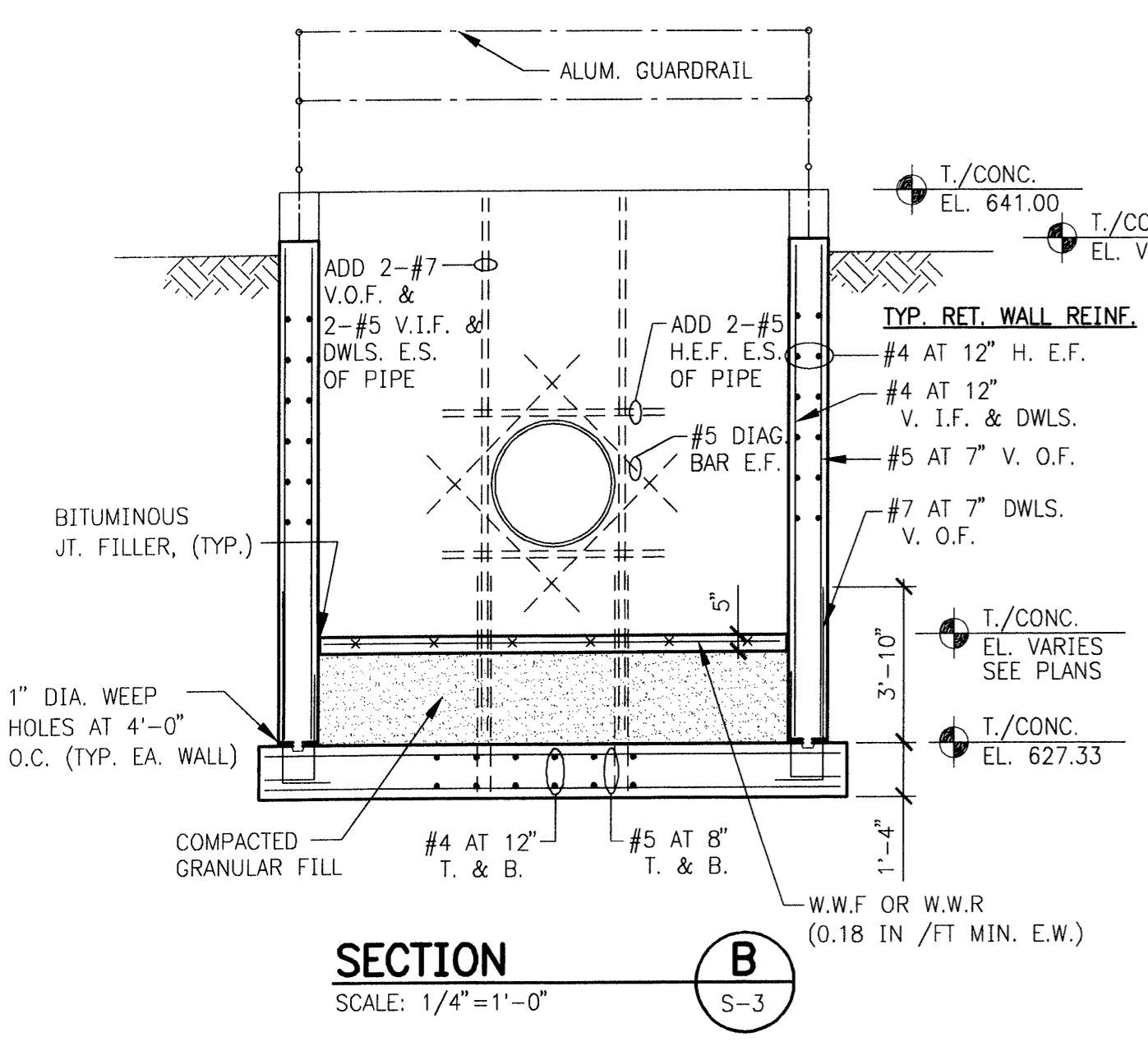


ROOF DESIGN LOADS:
REFER TO SHEET S-1



DESIGNED	T. DOMBROWSKI	CHECKED	A. FLAK
SCALE	AS NOTED	CADD DATE	7/19/2006 11:47 AM
REV	DESCRIPTION	BY	DATE
1	ISSUED FOR BIDS		07/2006
OAKLAND COUNTY, MICHIGAN GEORGE W. KUHN DRAINAGE DISTRICT CONTRACT 7 RETENTION TREATMENT FACILITY IMPROVE. CONFINED SPACE TRAINING FACILITY STRUCTURAL CONFINED SPACE BUILDING PLANS AND SECTIONS			
DIVISION	4	CONTRACT	0541007-S-2
SHEET	S-3	OF	3

PLOT DATE: 7/19/2006 11:47 AM. LAST EDITED BY: ALAN FLAK. PLOT DEVICE: XLS 8850 - Plotter #3