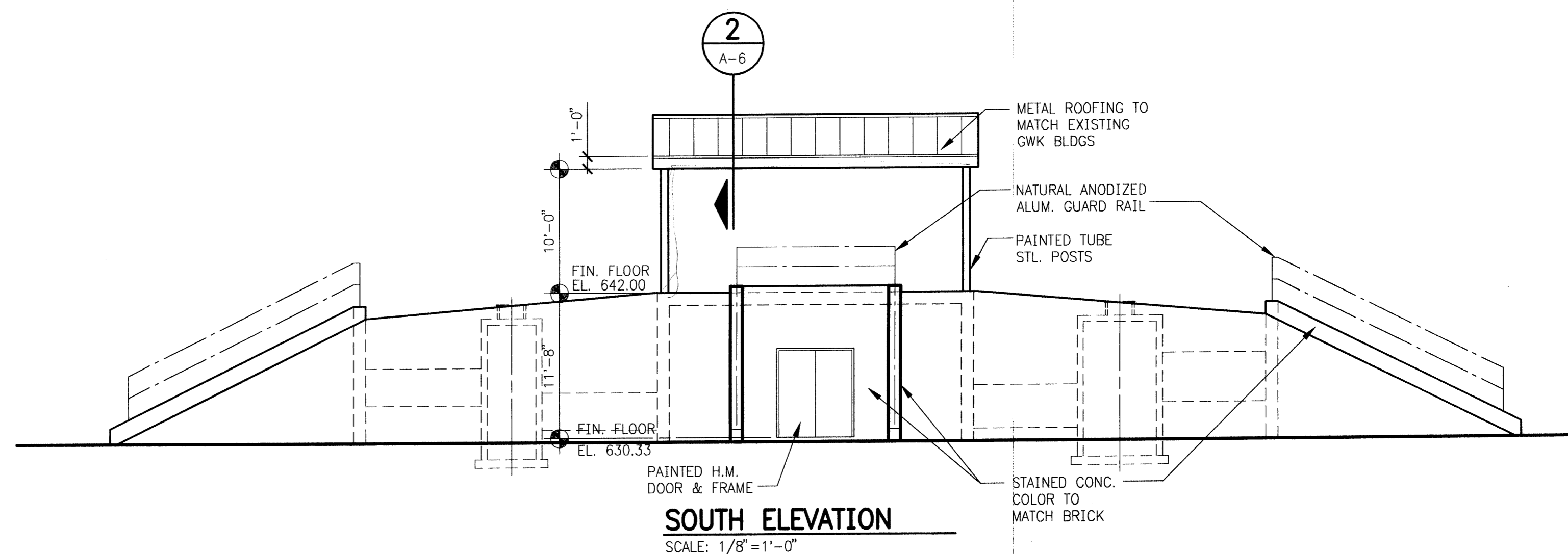


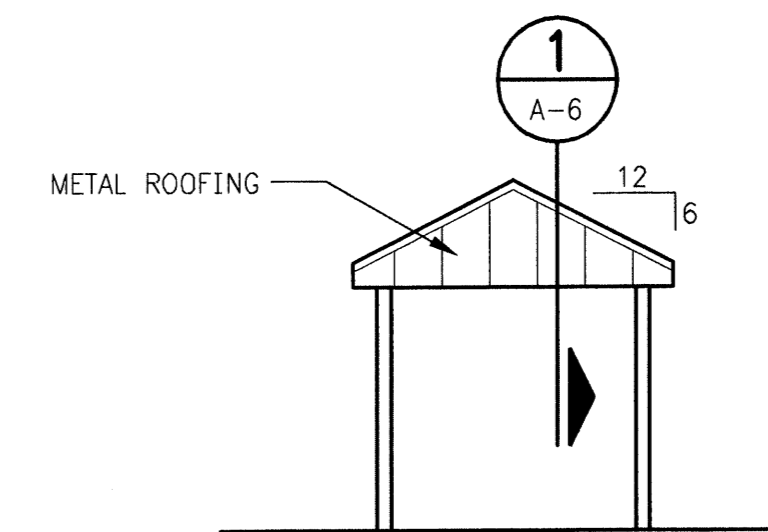
**TOP PLAN**

SCALE: 1/8"=1'-0"



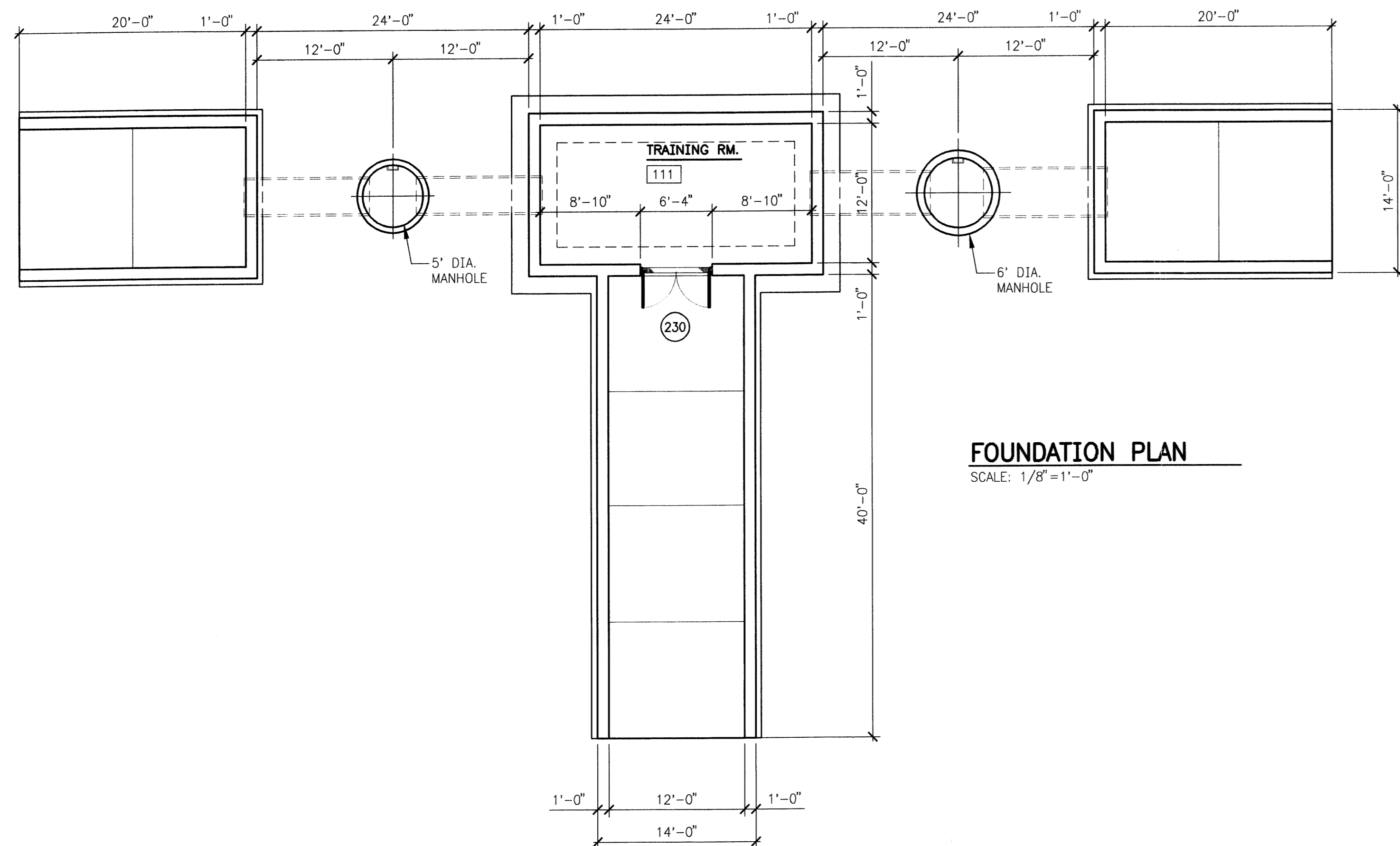
**SOUTH ELEVATION**

SCALE: 1/8"=1'-0"



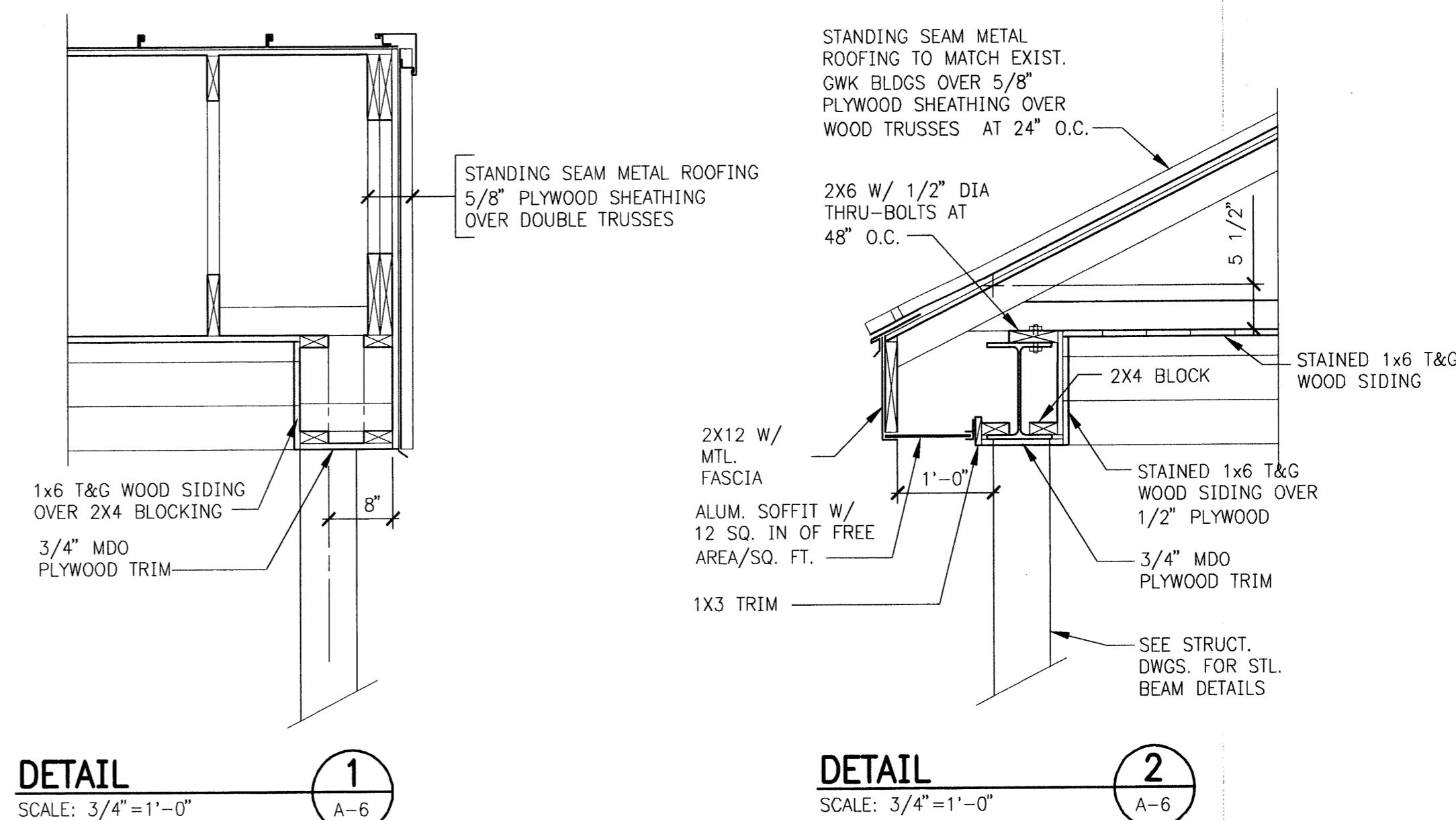
**EAST/WEST ELEVATION**

SCALE: 1/8"=1'-0"



**FOUNDATION PLAN**

SCALE: 1/8"=1'-0"



**DETAIL 1**

SCALE: 3/4"=1'-0"

**DETAIL 2**

SCALE: 3/4"=1'-0"

|                 |             |
|-----------------|-------------|
| ISSUED FOR BIDS | 07/2006     |
| REV             | DESCRIPTION |

**TETRA TECH MPS**

DESIGNED: B. CLARK      CHECKED: T. LARDER

SCALE: AS NOTED      CADD DATE: 7/19/2006 11:39 AM

PART: 0\0541007\37\AV\PAVILION-PLAN.DWG

OAKLAND COUNTY, MICHIGAN  
 GEORGE W. KUHN DRAINAGE DISTRICT  
 CONTRACT 7 RETENTION TREATMENT FACILITY IMPROVE.  
 CONFINED SPACE TRAINING FACILITY

**ARCHITECTURAL**

**CONFINED SPACE BLDG.  
 FLOOR PLANS**

|          |             |       |
|----------|-------------|-------|
| DIVISION | CONTRACT    | SHEET |
|          | 0541007-S-2 | A-6   |
|          |             | OF 6  |