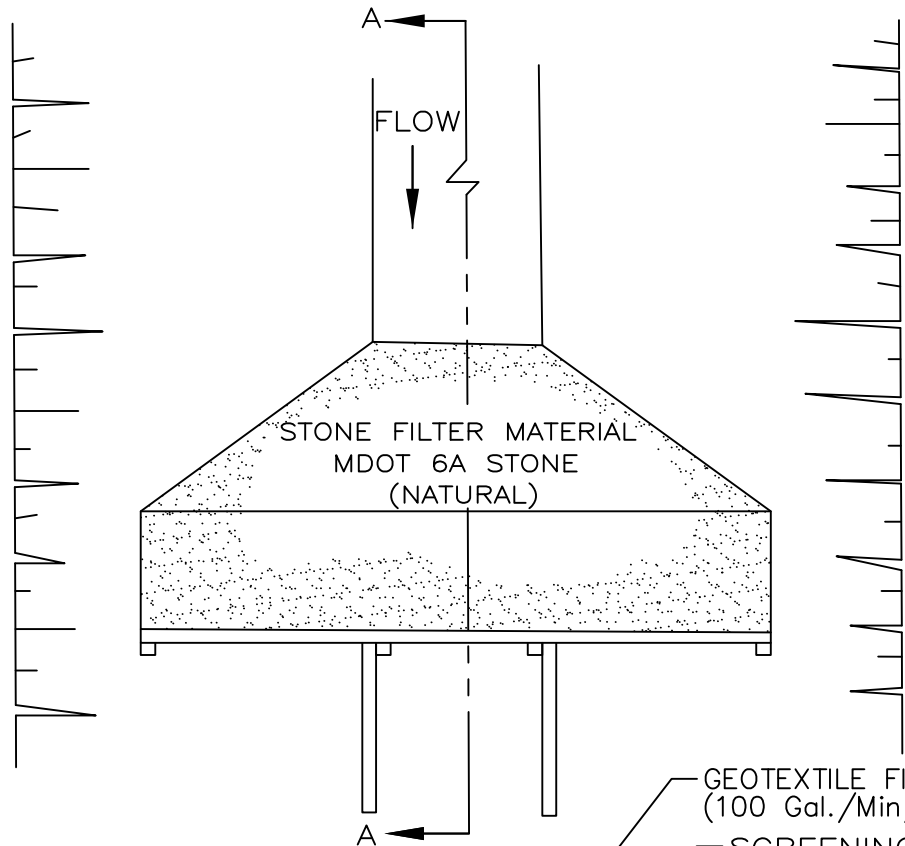
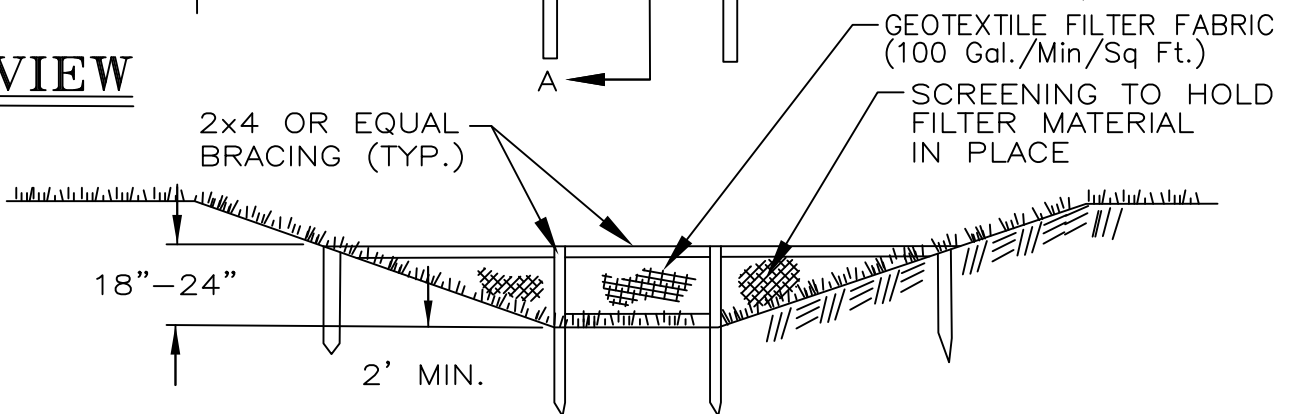


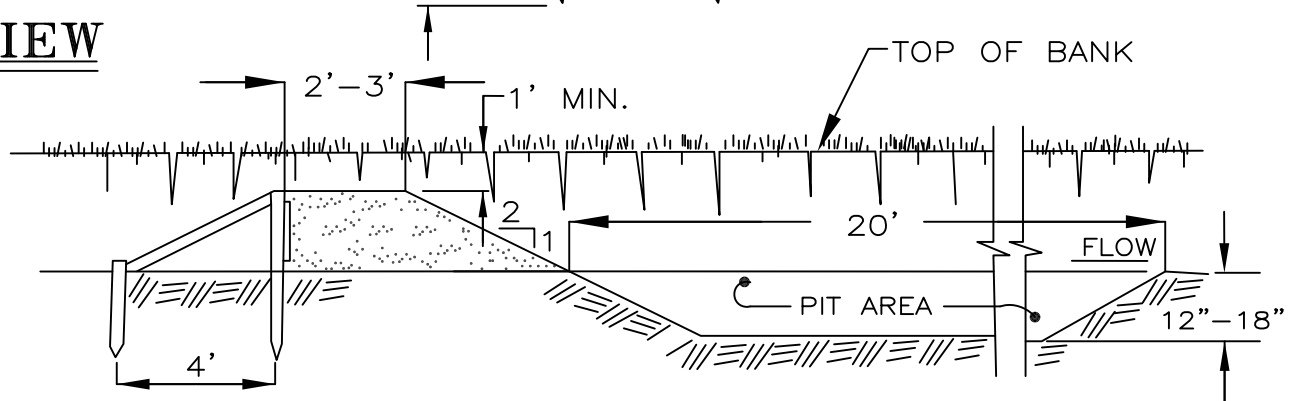
DITCH SEDIMENT TRAP (SO-4)



PLAN VIEW



END VIEW



SECTION A-A

NOTE:
FOR SLOPE AND/OR CHANNEL PROTECTION SEE OTHER BMP'S ON THE SHEET OR IN
THE WRC SOIL EROSION MANUAL.