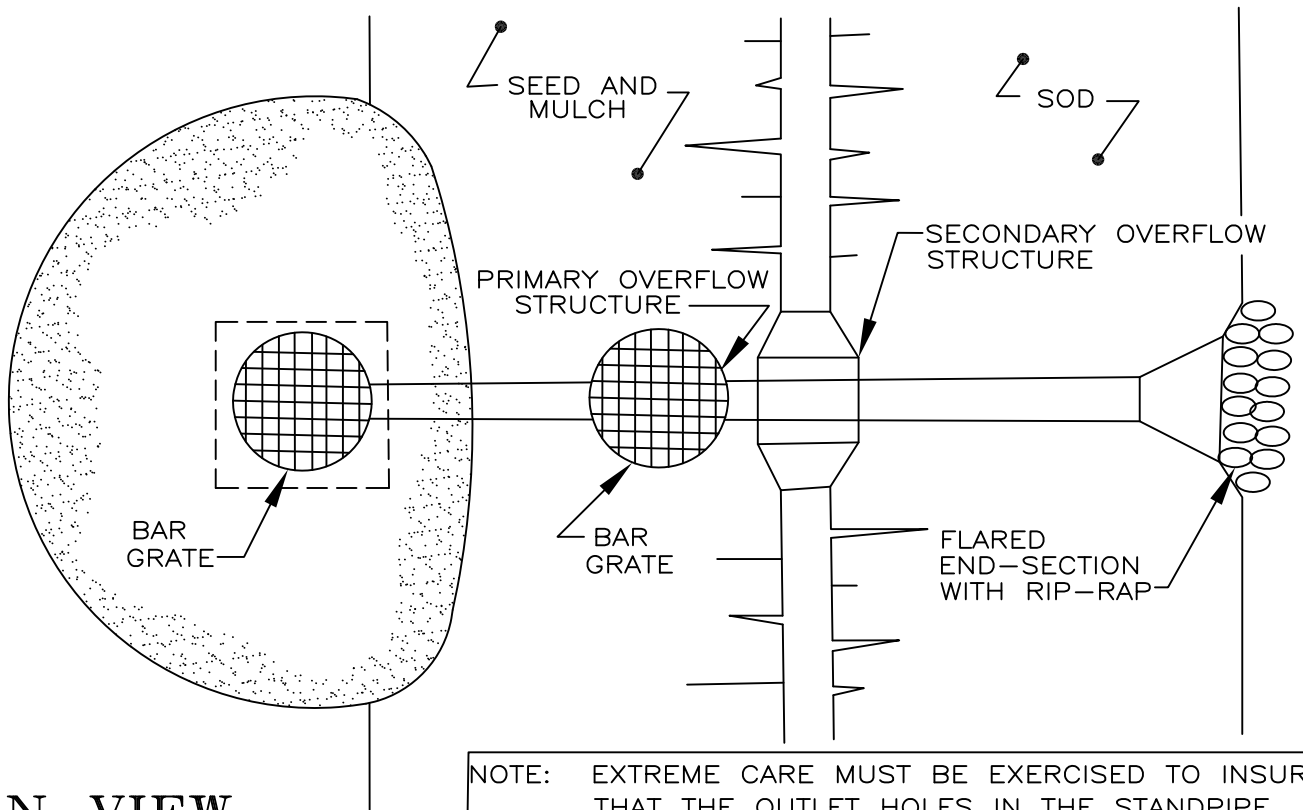
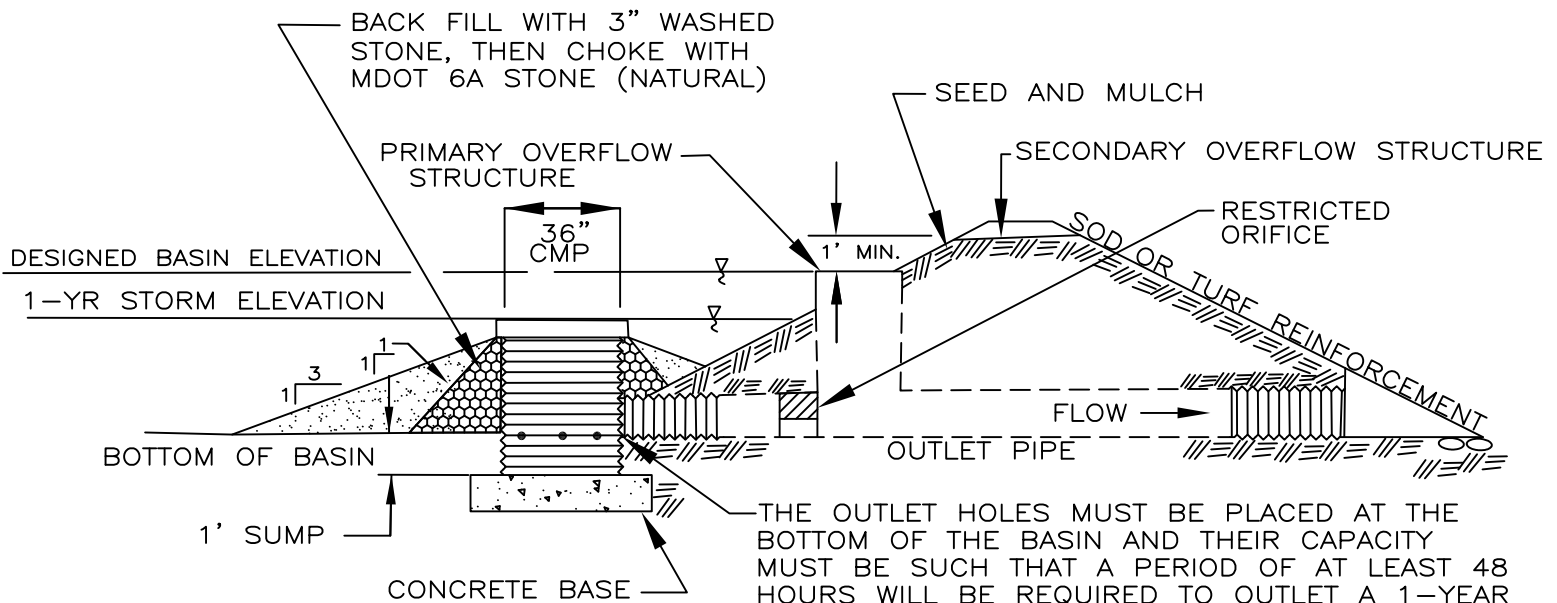


TEMPORARY DETENTION BASIN OUTLET STONE FILTER (SO-2)



NOTE: EXTREME CARE MUST BE EXERCISED TO INSURE THAT THE OUTLET HOLES IN THE STANDPIPE, DO NOT BECOME CLOGGED WITH SEDIMENT.

PLAN VIEW



THE OUTLET HOLES MUST BE PLACED AT THE BOTTOM OF THE BASIN AND THEIR CAPACITY MUST BE SUCH THAT A PERIOD OF AT LEAST 48 HOURS WILL BE REQUIRED TO OUTLET A 1-YEAR STORM VOLUME. SEE OAKLAND COUNTY WATER RESOURCES COMMISSIONER'S SEDIMENT BASIN DESIGN CRITERIA FOR NUMBER OF OUTLET HOLES REQUIRED.

PROFILE VIEW

NOTE: NOT TO SCALE