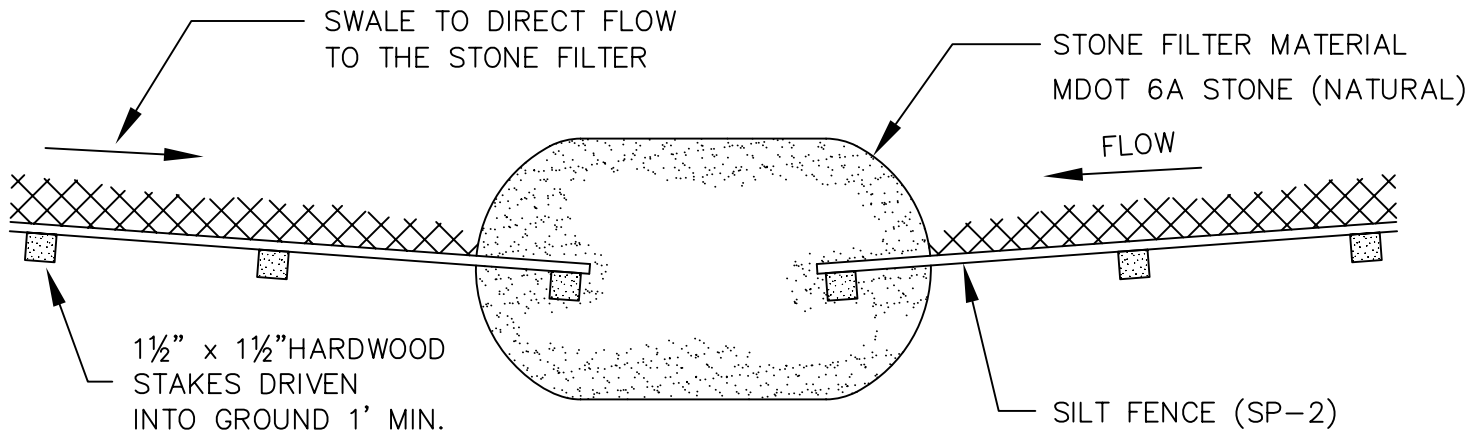
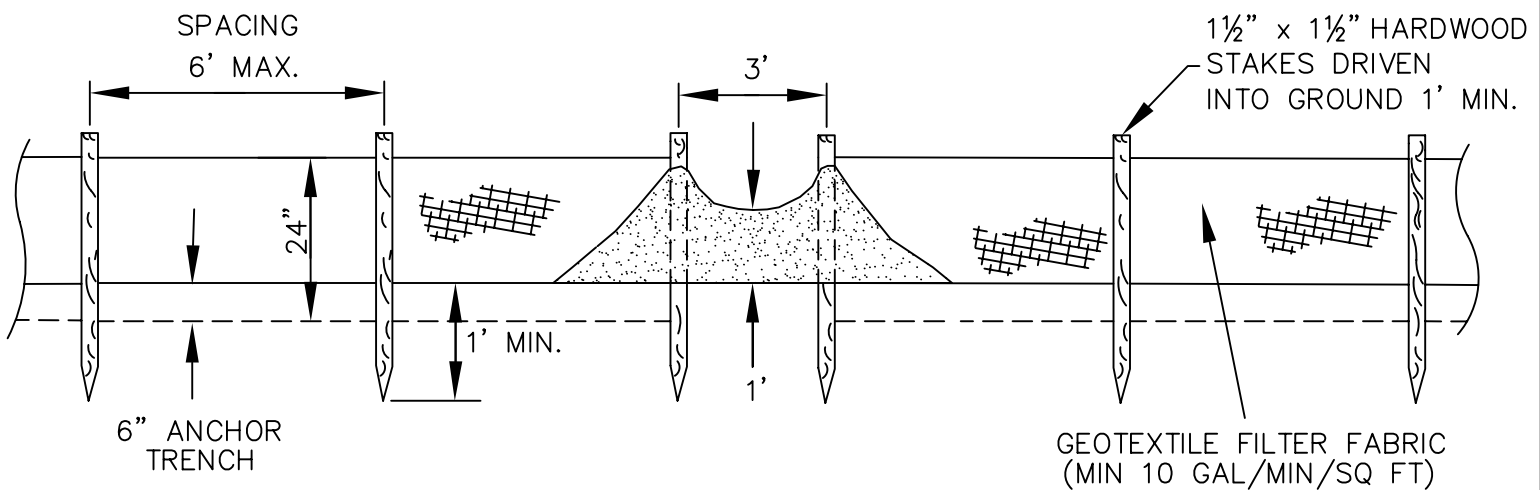


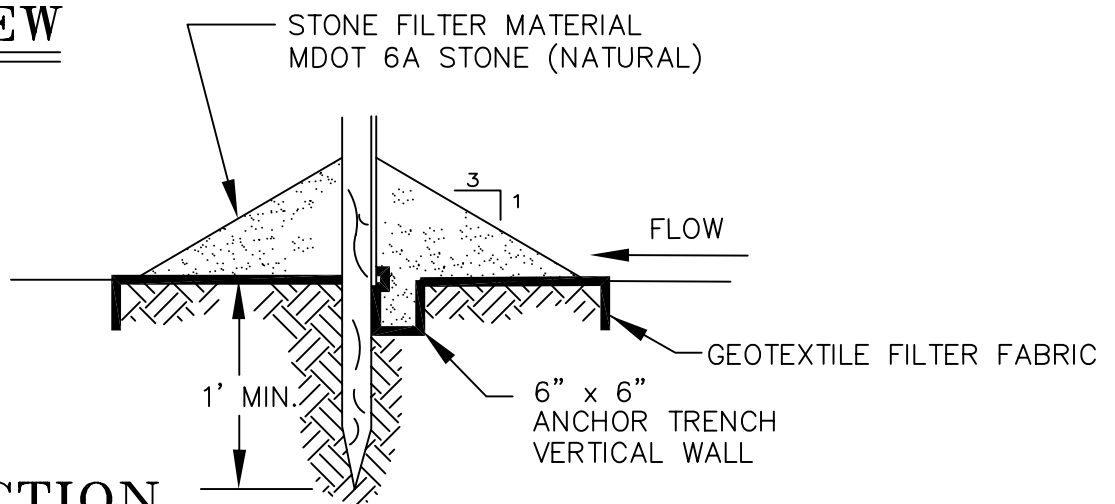
# SILT FENCE GRAVEL FILTER (SP-3)



## PLAN VIEW



## FRONT VIEW



## CROSS SECTION

—PLACE GEOTEXTILE FABRIC UNDER STONE WITH 6 INCH MIN. OVERLAP AND TRENCHED IN 6 INCH MIN.