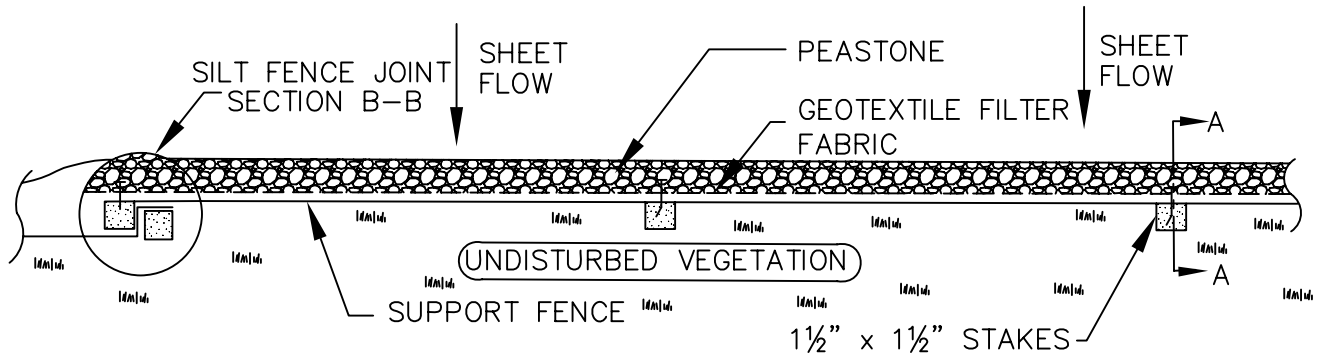
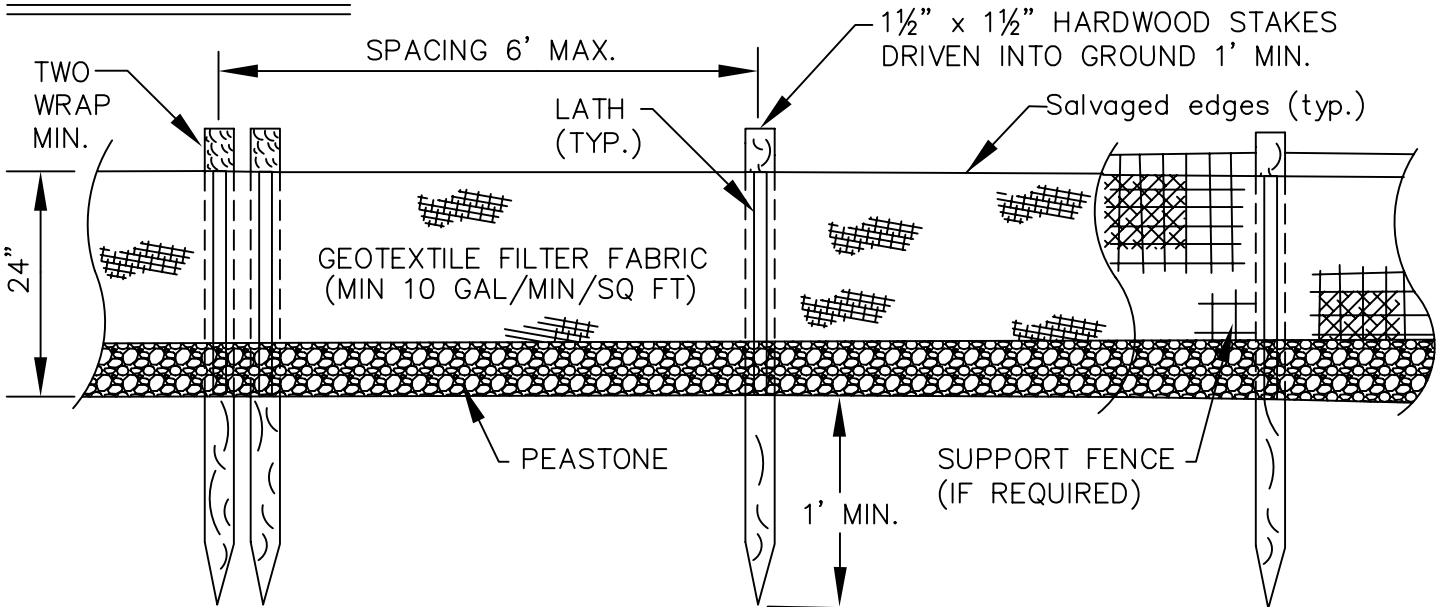


# WINTER/FROZEN GROUND SILT FENCE (SP-2W)

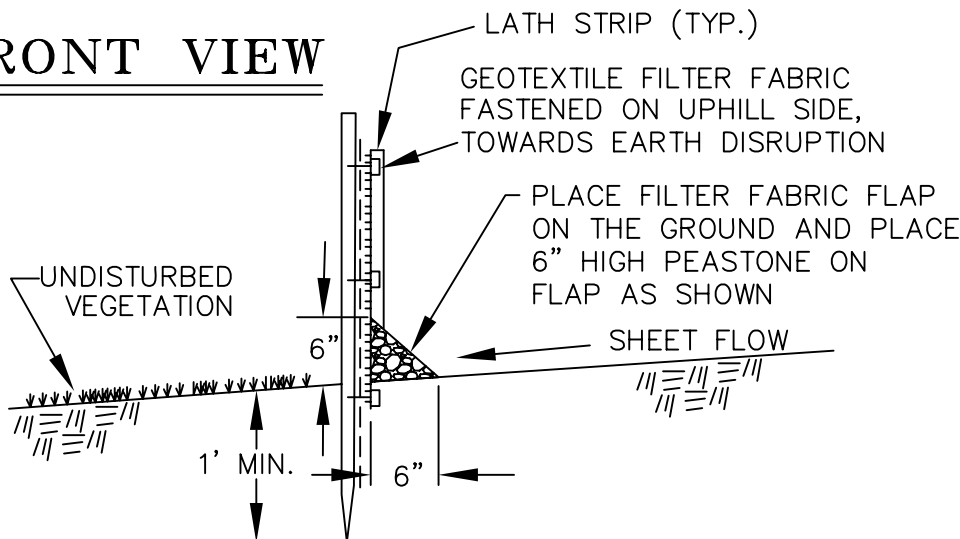
(MATERIAL: AMOCO PRO PEX 2130 OR APPROVED EQUIVALENT)



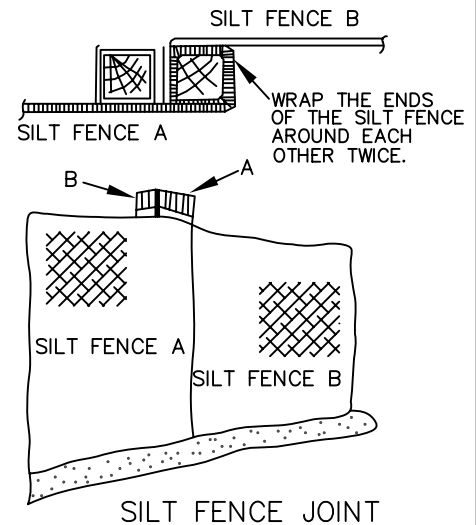
## PLAN VIEW



## FRONT VIEW



## SECTION A-A



## SECTION B-B