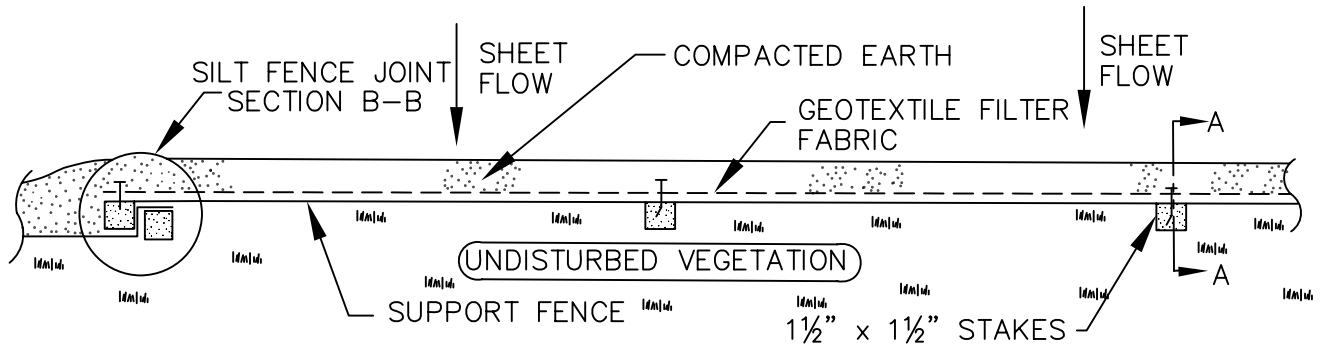
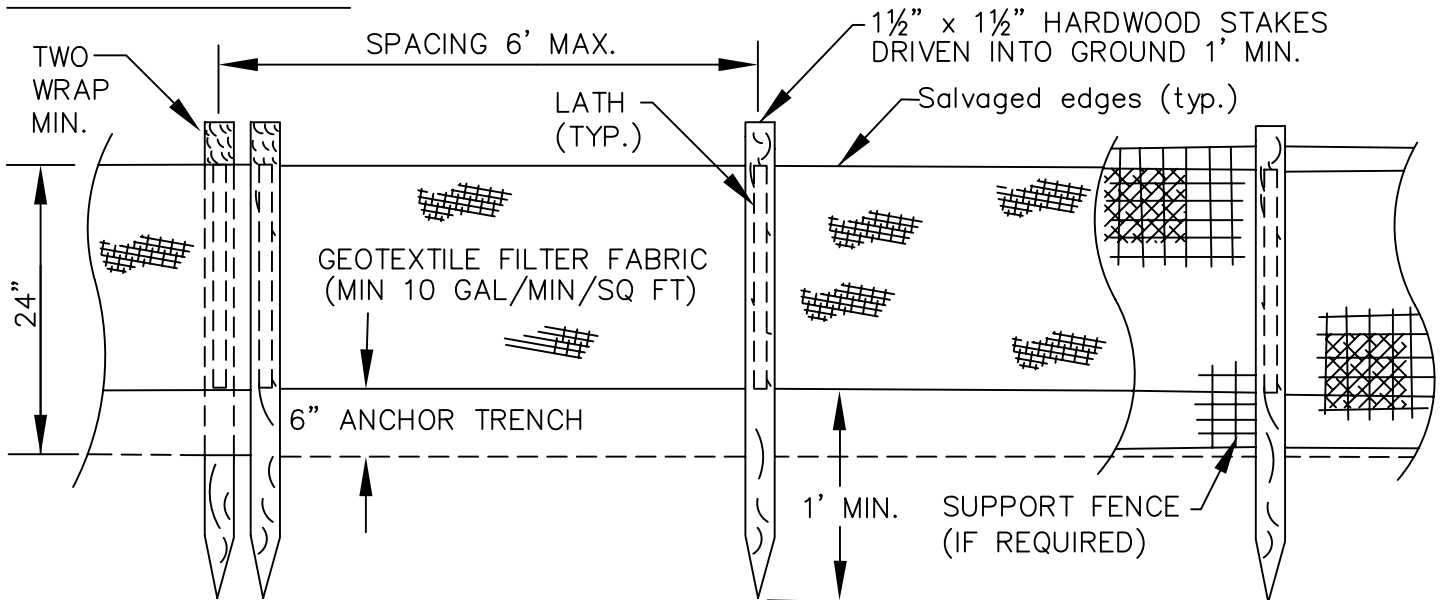


SILT FENCE (SP-2)

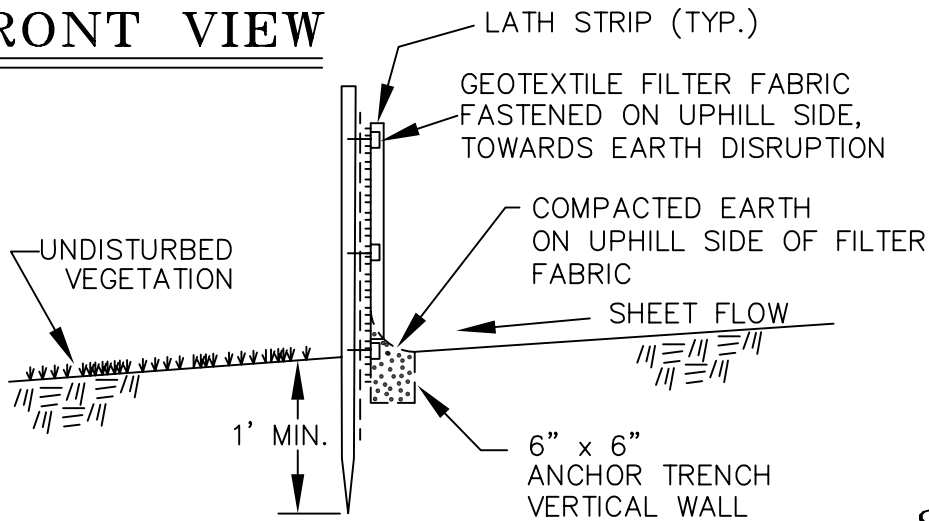
(MATERIAL: AMOCO PRO PEX 2130 OR APPROVED EQUIVALENT)



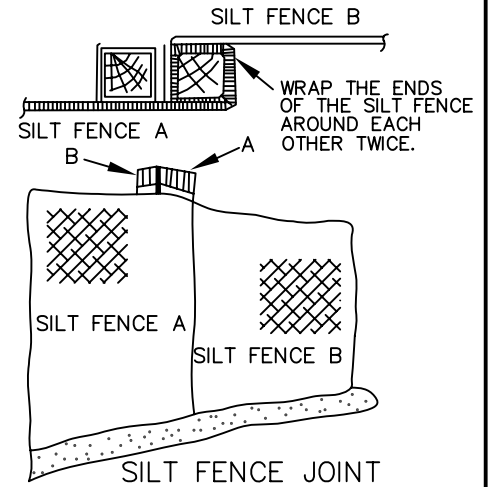
PLAN VIEW



FRONT VIEW



SECTION A-A



SECTION B-B