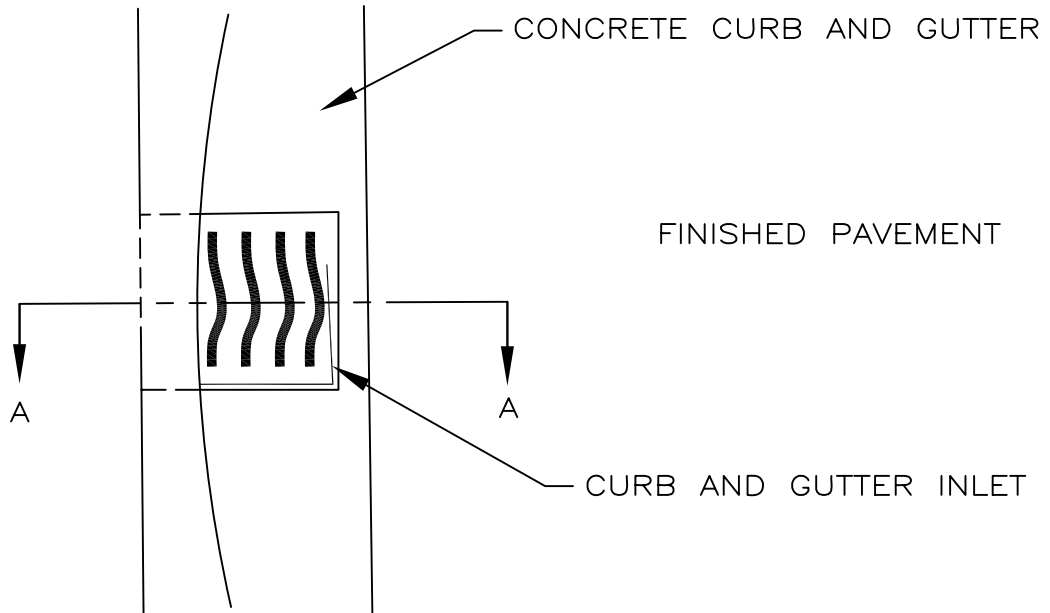


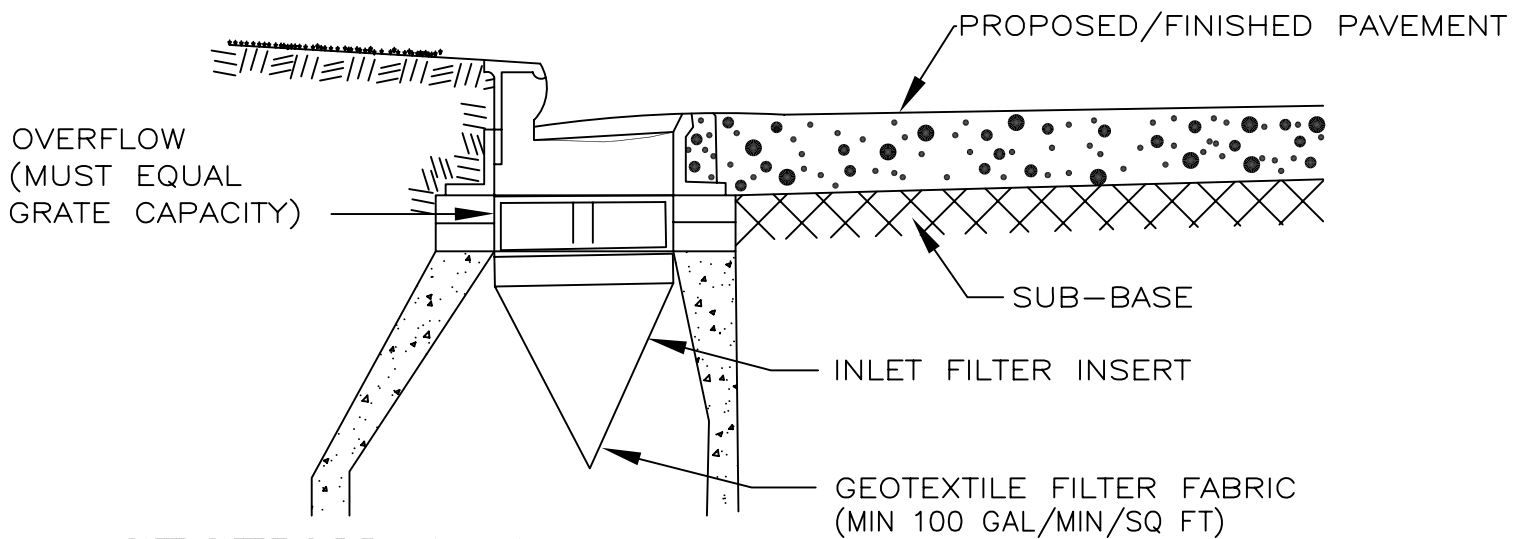
CURB AND GUTTER INLET FILTER ALTERNATIVE "A" (SI-4A)

(BEFORE AND AFTER PAVING)

MATERIAL: CATCH-ALL, ULTRA-URBAN FILTERS,
FLOGARD +PLUS OR APPROVED ALTERNATIVE



PLAN VIEW



SECTION A-A