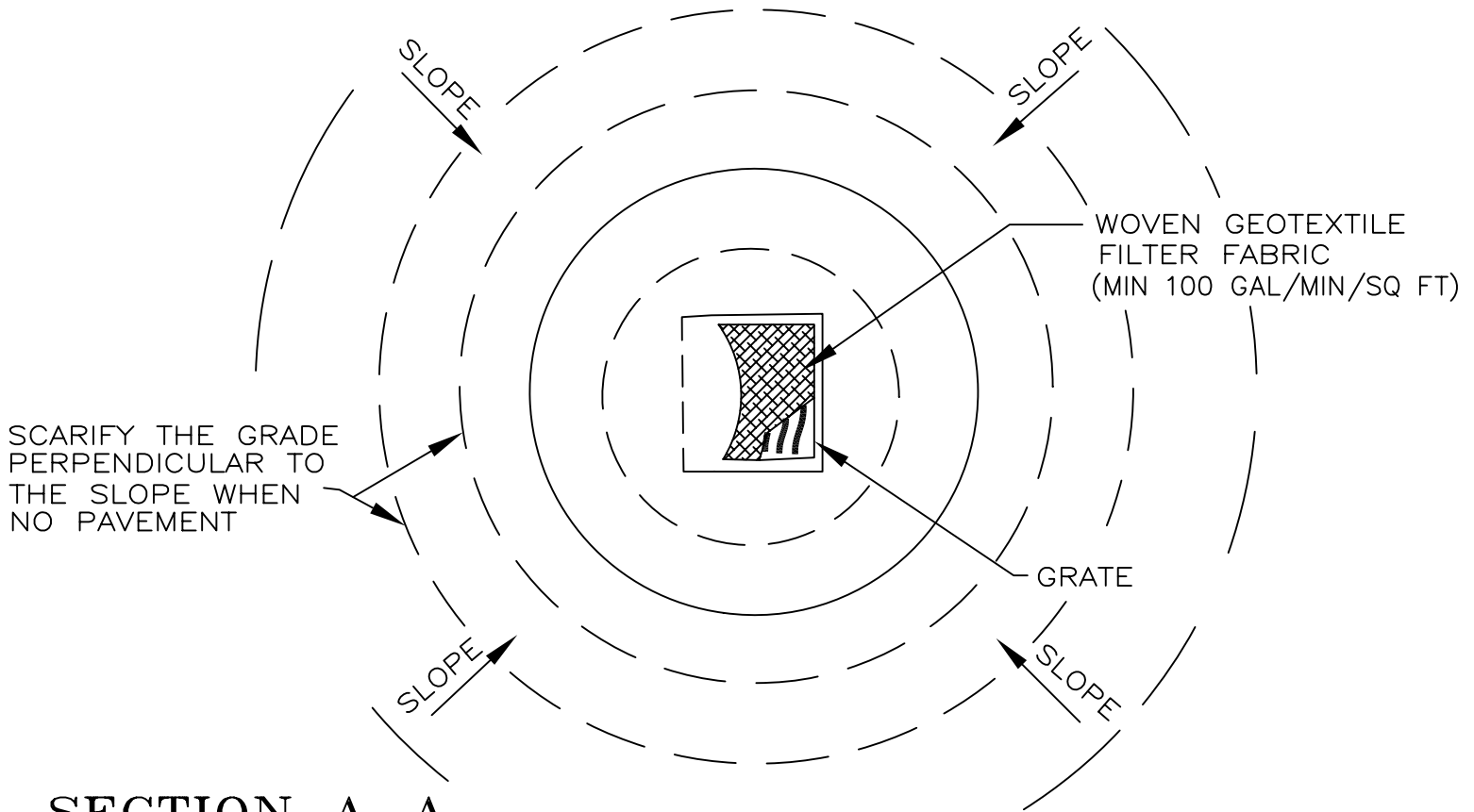
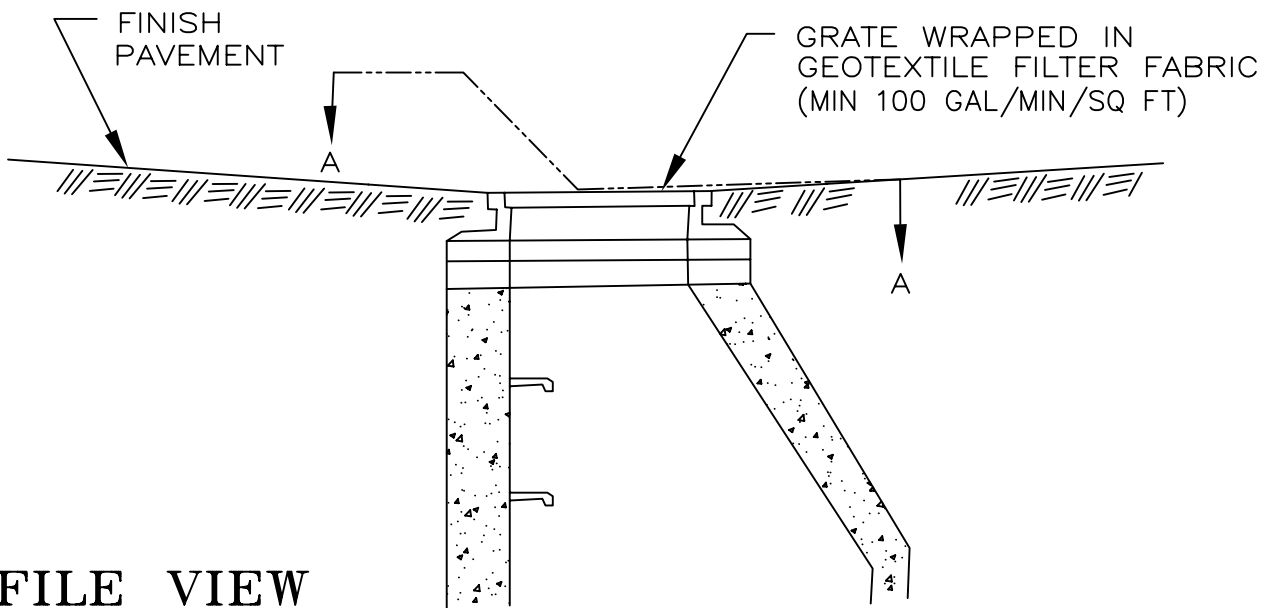


LOW POINT INLET FILTER (SI-2)

ALTERNATIVE INLET FILTER MUST BE USED IN AREAS THAT MAY BECOME A SAFETY HAZARD DUE TO FLOODING OR FREEZING.



SECTION A-A



PROFILE VIEW